



# SPROCKET RETAINING CLIPS

The retaining clips permanently locate the sprockets, wheels and discs on a square shaft of 40x40mm section. Easy assembly / disassembly.

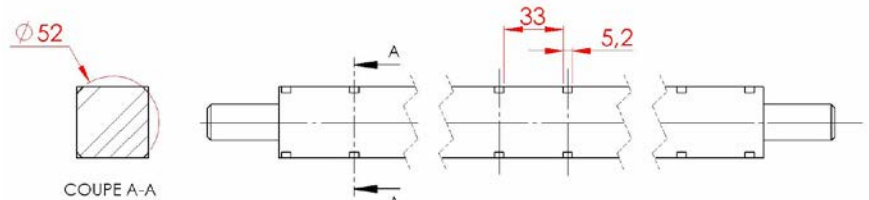


REFERENCE	DESCRIPTION	DIMENSION OF SQUARE SHAFT	MATERIAL
CLIP-40	Retaining clip for square shaft	40x40 mm	Stainless steel

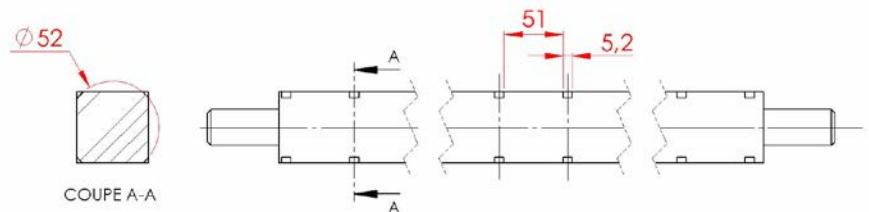
## PRE-MACHINING:

The retaining clips are located by cutting simple grooves on the four corners of the square shaft. The clips snap into the grooves. The clips sit on both sides of the sprocket.

DEL/DRIVE 50 :



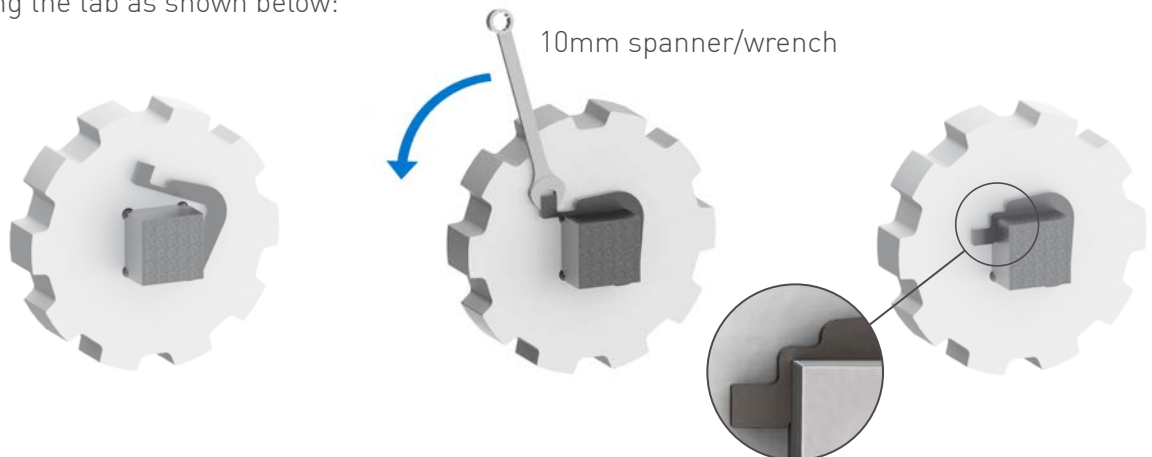
POSITIVEBELT :



## INSTALLATION:

**Caution:** Always check the alignment of the teeth when positioning the sprockets.

The retaining clip is positioned in the groove cut for this purpose, and is held in position by folding the tab as shown below:



The figures and the data may change. Users of this document should check they are valid. Mafdel accepts no liability for use of incorrect data. 09-18. Mafdel RCS Vienne B 322 214 412.



**MAFDEL**  
 Z.I. Lafayette - 131, rue de la Plaine  
 38790 Saint Georges d'Espérance - FRANCE  
 Tel. +33 (0)4 78 96 21 90 - Fax : +33 (0)4 78 96 21 78  
 www.mafdel-belts.com - www.food-conveyor-belts.com  
 mafdel@mafdel.fr

