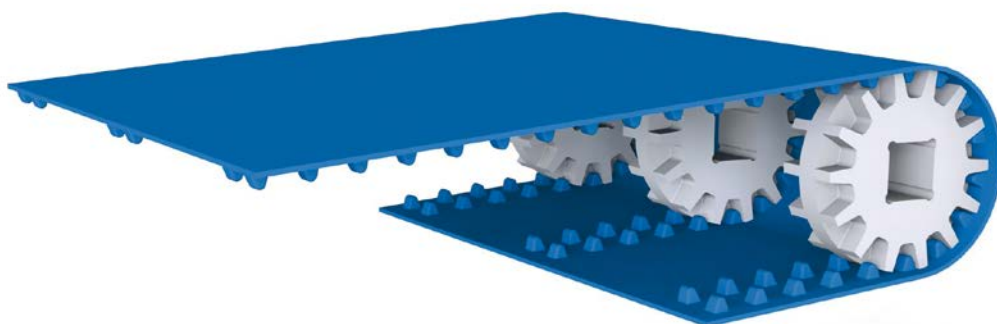




"SELF-TRACKING POSITIVE DRIVE BELT"



	POSITIVEBELT® P02	
Reference	PO331LB2	PO331LB2H*
Material	Polyurethane	Polyester elastomer
Colour	Blue	Blue
Top surface	Smooth	Smooth
Hardness	95 ShA	55 ShD
Pitch (mm)	31.5	30.8
Thickness (mm)	3.2	3.2
Max. width (mm)	1 000	1 000
Weights	4.8 kg/m ²	4.4 kg/m ²
Min. pulley diameter (mm)	100	120
Min. pulley diameter - back flex (mm)	100	120
Temperature range	-20°C to +75°C	-20°C to +80°C
Traction force	70 daN at 3% elongation for a width of 100 mm	165 daN at 2,5% elongation for a width of 100 mm
Friction coefficient		
On HDPE bed	0.35	0.15
On stainless steel bed	0.6	0.45

*Sprockets on demand.

POSITIVEBELT®



The positive drive thermo-weldable POSITIVEBELT® offers **exceptional guidance thanks to the dual row of teeth**.

Its **perfectly smooth top surface** makes cleaning easier and maintains an **optimal level of hygiene**. The POSITIVEBELT® can benefit of an **antimicrobial treatment**. This treatment improves food safety by inhibiting the proliferation of bacteria, and prevents the contamination of transported products. A further benefit is the reduction of odours and cleaning cycles.

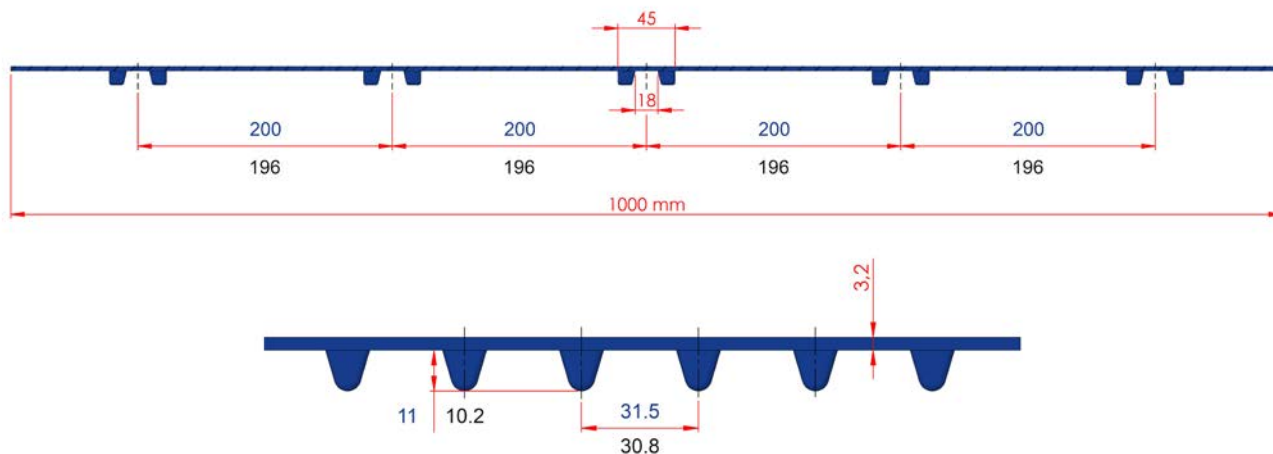
The POSITIVEBELT® has **high abrasion and cut resistance**, thereby **ensuring prolonged service life**.

The belt is mounted **without tension**, reducing stress on the mechanical components. It is driven by sprockets generally mounted on a square shaft or a smooth driving drum fitted with special sprockets.

The idlershaft is fitted with disks. Wheels can be added between the sprockets and the disks.

Profiles or sidewalls can be added (see page 18).

POSITIVEBELT Polyurethane
POSITIVEBELT Polyester elastomer





SPROCKETS



REFERENCE	NUMBER OF TEETH	OUTER DIAMETER (mm)	MATERIAL	SQUARE BORE (mm)
P31WUN10C40	10	100	HDPE	40
P31WUN12C40	12	120	HDPE	40
P31WUN14C40	14	142	HDPE	40
P31WUN16C40	16	162	HDPE	40
P31WUN20C40	20	202	HDPE	40

WHEELS



REFERENCE	EQUIVALENT NUMBER OF TEETH	OUTER DIAMETER (mm)	MATERIAL	SQUARE BORE (mm)
R31WUN10C40	10	100	HDPE	40
R31WUN12C40	12	120	HDPE	40
R31WUN14C40	14	142	HDPE	40
R31WUN16C40	16	162	HDPE	40
R31WUN20C40	20	202	HDPE	40

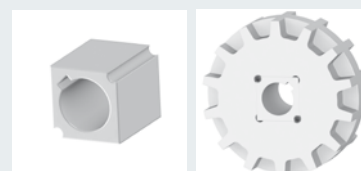
DISKS



REFERENCE	EQUIVALENT NUMBER OF TEETH	OUTER DIAMETER (mm)	MATERIAL	SQUARE BORE (mm)
D31WUN10C40	10	100	HDPE	40
D31WUN12C40	12	120	HDPE	40
D31WUN14C40	14	142	HDPE	40
D31WUN16C40	16	162	HDPE	40
D31WUN20C40	20	202	HDPE	40

The standard sprockets we offer have a square bore for a 40x40 mm drive shaft.

They can be mounted on other shafts with special adapters.
Please enquire for any other dimensions of round or square shaft.

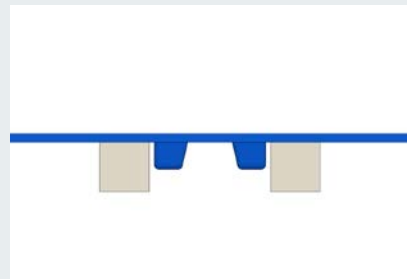


POSITIVEBELT®



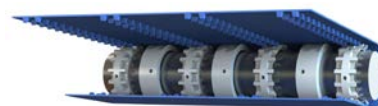
Simplified conveyor design:

The POSITIVEBELT® is not only guided by self-tracking sprockets, but also be additionally guided within the sides of the conveyor. The belt tolerates transverse force, for such as lateral loading of products instance, without any risk of deviating.



An open overhanging design of the conveyor structure combined with the absence of belt tension facilitates regular mounting and dismantling tasks.

SPROCKETS AND WHEELS FOR DRIVING DRUM



REFERENCE	PRODUCT	NUMBER OF TEETH	OUTER DIAMETER (mm)	DRUM DIAMETER (mm)	MATERIAL
P31WUN15R122	Sprocket	15	152	113	HDPE
R31WUN15R122	Wheel	-	152	113	HDPE
P31WUN18R147	Sprocket	18	182	138	HDPE
R31WUN18R147	Wheel	-	182	138	HDPE
P31WUN20R174	Sprocket	20	202	165	HDPE
R31WUN20R174	Wheel	-	202	165	HDPE

The reinforced POSITIVEBELT® P01 is a version reinforced with aramid reinforcements.

It is particularly suitable for applications such as **roller drive**, requiring **good adherence**, a **high permissible load** even with **small widths**, while at the same time **eliminating the risk of slippage**.

The absence of a tensioning system lets you **retain fixed centre-to-centre distances**, **facilitating transfers between conveyors**.

Sprockets, wheels and discs: please enquire.

